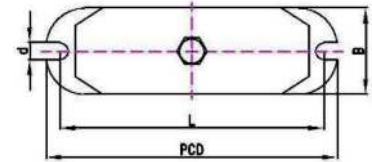
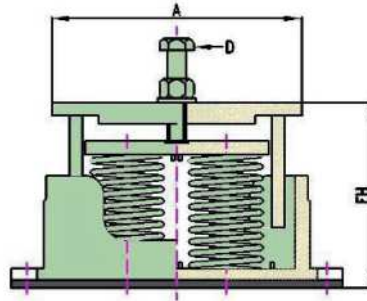


# HOUSED DOUBLE SPRING MOUNT

E



**Enhanced Vibration Isolation:** Dual-spring system for high-efficiency vibration control in demanding applications.

**Acoustic Friction Pad:** Minimizes noise transmission and enhances vibration dampening.

**Plated Leveling/Lock Bolt:** Standard, with HDG and stainless steel options available on request.

**Optimized Diameter Ratio:** 0.8 for superior load stability and performance.

**Robust Cast Iron Caps:** Cast iron lower and upper caps with an 8mm rubber base on the lower cap for additional stability and damping.

**Applications:** Ideal for applications such as Chillers, Pumps, Fans, Condensing Units, Rooftop Package Units, Compressors, Generators, and other heavy machinery.

**Compliance:** Engineered in accordance with BS 1726 (Part 1): 2002 standards.

Part No.	Color Code	Rec. Load KG	Max Deflection mm	A	B	C	L	D	d	FH
IC20908300	Orange	300	25	210	85	265	285	M16	16	150
IC20908350	Orange	350	25	210	85	265	285	M16	16	150
IC20908400	Red	400	25	210	85	265	285	M16	16	150
IC20908500	Purple	500	25	210	85	265	285	M16	16	150
IC20908600	Grey	600	25	210	85	265	285	M16	16	150
IC20908800	Red	800	25	210	85	265	285	M16	16	150
IC209081000	Brown	1000	25	210	85	265	285	M16	16	150
IC209081200	Black	1200	25	210	85	265	285	M16	16	150
IC209081600	Red	1600	25	210	85	265	285	M16	16	150
IC209082100	White	2100	25	210	85	265	285	M16	16	150
IC209082500	Green	2500	25	210	85	265	285	M16	16	150
IC209083000	Orange	3000	25	210	85	265	285	M16	16	150