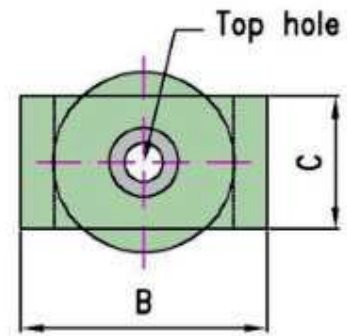
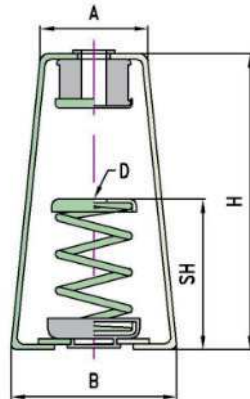


SPRING HANGER WITH RUBBER TOP

E



Applications: Suitable for isolating vibrations in HVAC and mechanical systems, including fans, AHUs, FCUs, piping, and ducting installations.

Vibration Control: Provides high-efficiency isolation from structure-borne noise and vibrations, improving acoustic performance and system efficiency.

Spring Diameter Ratio: Features a spring with a diameter ratio of 0.8, ensuring stability under load and balanced support.

Steel Spring: Made from high-strength steel, delivering reliable performance and vibration dampening over time

Rubber Top: Fitted with a rubber layer on the top surface to reduce metal-to-metal contact, adding additional damping and preventing wear.

GI Spring Cap: Offers excellent corrosion resistance for extended durability in varying environments.

Powder-Coated Steel Body: Body is powder-coated to protect against corrosion, scratches, and impacts, enhancing product life.

Compliance: Designed in accordance with BS 1726 (Part1): 2002 standards, ensuring performance consistency and safety for load-bearing applications.

Part No.	Color Code	Rec. Load KG	Max Deflection mm	Top Hole mm	A	B	C	D	H
IC20904010	Purple	10	25	13	60	82	44	12	160
IC20904015	Yellow	15	25	13	60	82	44	12	160
IC20904020	Grey	20	25	13	60	82	44	12	160
IC20904040	Green	40	25	13	60	82	44	12	160
IC20904050	Blue	50	25	13	60	82	44	12	160
IC20904060	Blue	60	25	13	60	82	44	12	160
IC20904075	Blue	75	25	13	60	82	44	12	160
IC20904100	Green	100	25	15	83	112	60	14	205
IC20904150	Orange	150	25	15	83	112	60	14	205
IC20904175	Orange	175	25	15	83	112	60	14	205
IC20904200	Red	200	25	15	83	112	60	14	205
IC20904250	Purple	250	25	15	83	112	60	14	205
IC20904300	Grey	300	25	19	86	122	70	18	245
IC20904400	Red	400	25	19	86	122	70	18	245
IC20904500	Brown	500	25	19	86	122	70	18	245
IC20904600	Black	600	25	19	86	122	70	18	245
IC20904800	Red	800	25	19	86	122	70	18	245
IC209041050	White	1050	25	19	86	122	70	18	245
IC209041250	Green	1250	25	19	86	122	70	18	245
IC209041500	Orange	1500	25	19	86	122	70	18	245