

TRIANGULAR BEAM CLAMP



Application:

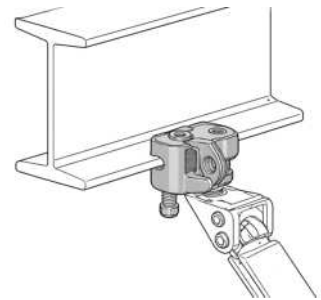
Used for connecting steel beams such as I-beams and H-beams without drilling or welding.
 Can also be used for connecting steel beams to equipment.
 Provides a secure and adjustable connection, easy to install, and does not damage the structure.
 Can be reused multiple times.

Material:

45# Steel, compliant with GB/T699-2015.

Surface Treatment:

Electro-galvanized, average coating thickness 12 m, compliant with GB/T9799-2011.
 Other surface treatments such as hot-dip galvanizing are also available.



Part No.	Design Load (kN)	Bolt Hole Size (mm)	Width (mm)
IC50101200	13	50	30